

## INTRODUCTION

Thank you for your purchase of the DB225 Professional D-I. A passive direct box designed to take high impedance signals and convert them to low impedance. The unit features an attenuator switch for padding the input signal by either 20 or 40dB, and the ground lift switch may be used to reduce unwanted hum caused by ground loops.

## INSPECTION

1. Unpack and Inspect the DB225 package  
Your DB225 was carefully packed at the factory in a protective plastic clamshell package. Nonetheless, be sure to examine the unit and the carton for any signs of damage that may have occurred during shipping. If obvious physical damage is noticed, contact the carrier immediately to make a damage claim. We suggest saving the shipping carton and packing materials for safely transporting the unit in the future.

## WARRANTY

For information on the Rolls One Year Limited Warranty, and to register this product, visit our website at [www.rolls.com](http://www.rolls.com)

## DESCRIPTION

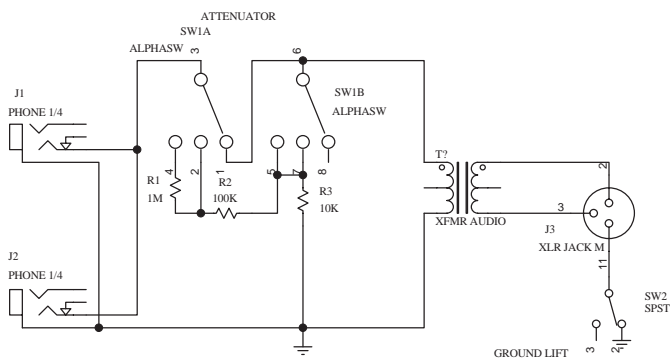
**INPUT(S):** 1/4" unbalanced jacks for receiving line or instrument level signals

**OUTPUT(S):** XLR male and female for connection to a mixer board or other balanced input device.

**GROUND LIFT SWITCH:** In the lift position, the ground connection to the XLR jack is disconnected from the chassis.

**ATTENUATOR SWITCH:** Reduces the input signal by the amount indicated.

## SCHEMATIC



Rolls Corporation 5968 So 350 West Murray Utah 84107		
DB225 Direct Box		
Ba	Document Number: DB225.SCH	Rev: 5199
Date: 19 May 2009	Sheet 1 of 1	

... anywhere you need a professional D-I box

# ROLLS

- Studio  
- Live  
- Broadcast

## DB225 Professional Direct Interface

# DB225

# ROLLS

## DB225 Professional Direct box

- Converts high impedance to low impedance & vice-versa
- Ground lift for "hum" reduction
- Attenuator switch for getting the correct level

The DB225 is a passive direct box for converting high impedance signals to low impedance and vica-versa.

## SPECIFICATIONS:

Frequency response: 20 - 20kHz +/- 1 dB

Max Output level: +4 dBm

Input Impedance: 50K Ohms

Output Impedance: 600 Ohms.

Weight: 1 lbs. (.45 Kg)

Size: 4.15" x 2.46" x 1.55"

# ROLLS



Rolls Corporation  
07/09

6 75889 02250 6