

# RDB104 Quad Direct Box

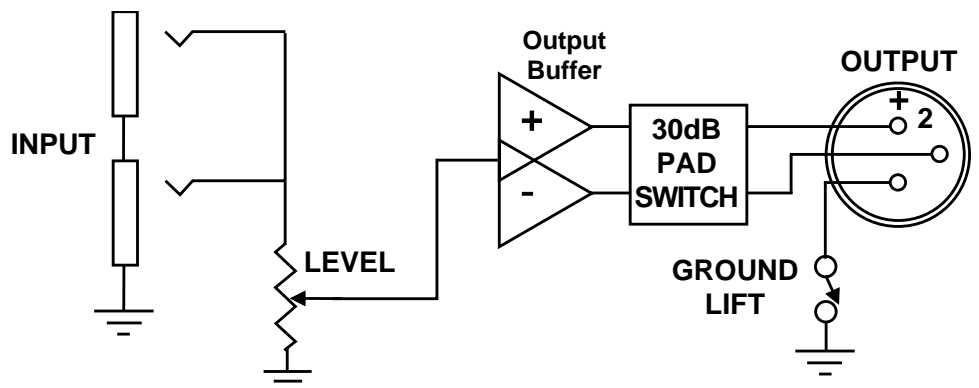
The RDB104 Quad Active Direct Box is a four channel impedance matching device designed for the audio professional and musician. Each channel of the RDB104 features two paralleled 1/4" input jacks, one on the front panel the other on the rear, and one XLR output. An input Level control, a 30 dB output Pad switch, and a Ground Lift switch have also been provided for each channel. Each channels' input impedance is 100k ohms, and the output impedance is 100 ohms balanced. The signal is electronically balanced eliminating low frequency rolloff and unwanted phase shift.

## FEATURES:

- Four channels of active impedance matching
  - Paralleled input jacks on the front and rear
- Each Channel features:
- Input Level control
  - Pad switch
  - Ground lift switch

## SPECIFICATIONS

Input Impedance:	100 kW
Output Impedance:	100 W balanced
Max. Output Level:	+22 dB (Pad out)
Gain:	-infinity to 0 dB
THD:	< 0.007%
Noise referenced to "0":	< -90dB
Headroom max out level:	+22 dB
Dimensions	1.75" X 6" X 19" (89mm X 162mm X 482mm)
Weight	6 lbs. (2.72 Kg)
Power	120VAC (230VAC) 15VA



ROLLS Coporation  
 5143 South Main Street, Salt Lake City, UT, 84107  
 (801) 263-9053 FAX (801) 263-9068  
 rolls@rolls.com • www.rolls.com