

RP252 Compressor/Limiter Gate

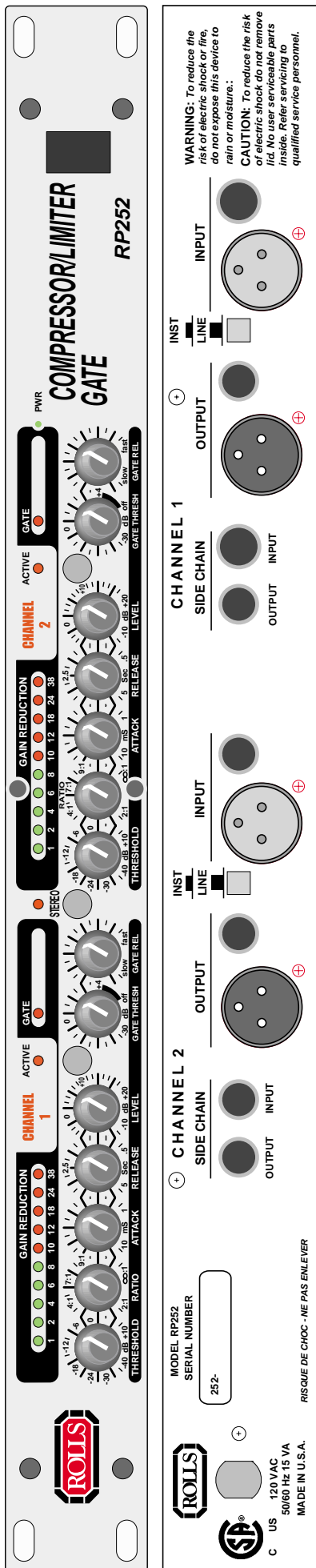
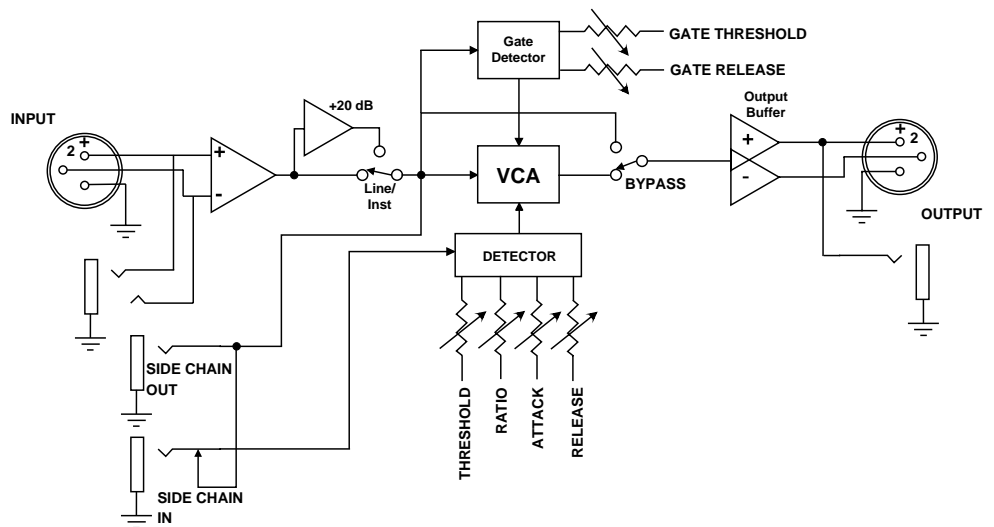
The RP252 is a professional, full-featured Compressor/Limiter that can handle a wide range of signals. Variable threshold, compression ratio, attack, and release controls make the Compressor/Limiter section complete for the sound reinforcement or recording need. The Noise Gate section lowers the output subtly, and the controls make it easy to set for any noise reduction situation. The input and output XLR connectors have -10/+4 dB Level switches.

FEATURES:

- Versatile Compressor/Limiter
- Ten segment LED gain reduction meter
- Variable Gating with adjustable Threshold and Release Time
- Stereo Linking
- XLR and 1/4" Inputs and Outputs
- Side Chaining for each channel

SPECIFICATIONS

Input Impedance:	10k Ω balanced
Max Input Level:	+21 dBu
THD:	.05% typical
Threshold range:	-40dBu to +10dBu
Attack Time:	1 - 10ms.
Release Time:	0.5 - 5 Sec.
Compression Ratio:	1:1 - infinity:1
Gate Threshold:	-30 to +4 dB, and Off.
Output Gain:	-10 - +20dB
Dimensions:	1.75" x 6" x 19" (44mm x 152mm 483mm)



ROLLS Coporation
 5968 South 350 West, Salt Lake City, UT, 84107
 (801) 263-9053 FAX (801) 263-9068
 rolls@rolls.com • www.rolls.com