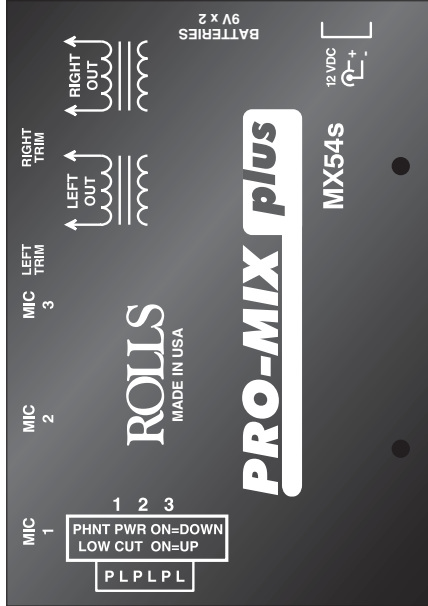




MX54S ProMix Plus

3-Channel Stereo Mic Mixer



SPECIFICATIONS

- Input Impedance: 600 Ohms
- Output Impedance: XLR 600 Ohms
- THD + Noise: .02%
- S/N Ratio: 84 dB
- Frequency Response: 25 Hz - 16 kHz (+0 / -3 dB)
- Max Output Level: +14 dB
- Max Input Level: -14 dB
- Max Gain: +60 dB
- Low Cut: -3 dB @ 100 Hz
- Current Draw: 20 mA
- Phantom Power: +18 VDC
- Connectors: 3 Female XLR, 2 Male XLR, 1 1/4" TRS, DC Power Jack
- Size: 5.3" x 3.7" x 2"
- Weight: 1 lbs.

LIMITED WARRANTY

This product is warranted to the original consumer purchaser to be free from defects in materials and workmanship under normal installation, use and service for a period of one (1) year from the date of purchase as shown on the purchaser's receipt.

The obligation of Rolls Corporation under this warranty shall be limited to repair or replacement (at our option), during the warranty period of any part which proves defective in material or workmanship under normal installation, use and service, provided the product is returned to Rolls Corporation, TRANSPORTATION CHARGES PREPAID. Products returned to us or to an authorized Service Center must be accompanied by a copy of the purchase receipt. In the absence of such purchase receipt, the warranty period shall be one (1) year from the date of manufacture.

This warranty shall be invalid if the product is damaged as a result of defacement, misuse, abuse, neglect, accident, destruction or alteration of the serial number, improper electrical voltages or currents, repair, alteration or maintenance by any person or party other than our own service facility or an authorized Service Center, or any use violative of instructions furnished by us.

This one-year warranty is in lieu of all expressed warranties, obligations or liabilities. ANY IMPLIED WARRANTIES, OBLIGATIONS, OR LIABILITIES, INCLUDING BUT NOT LIMITED TO THE IMPLIED WARRANTIES OF MERCHANTABILITY AND FITNESS FOR A PARTICULAR PURPOSE, SHALL BE LIMITED IN DURATION TO THE ONE YEAR DURATION OF THIS WRITTEN LIMITED WARRANTY. Some states do not allow limitations on how long an implied warranty lasts, so the above limitation may not apply to you.

IN NO EVENT SHALL WE BE LIABLE FOR ANY SPECIAL, INCIDENTAL OR CONSEQUENTIAL DAMAGES FOR BREACH OF THIS OR ANY OTHER WARRANTY, EXPRESSED OR IMPLIED, WHATSOEVER. Some states do not allow the exclusion or limitation of special, incidental or consequential damages so the above limitation or exclusion may not apply to you. This warranty gives you specific legal rights, and you may also have other rights which vary from state to state.

MX54 ProMix Plus

- Mixes three microphones to stereo XLR outputs
- Output level controls for mic or line-level output
- Transformer isolated outputs
- Phantom Power and Low-Cut switches for each Mic input
- Battery and AC powered

The MX54s is a very useful microphone mixer. It's perfect for sub-mixing microphones in an installation or recording application. The Phantom Power and Low-Cut switches add to the versatility and usefulness of the MX54.



Rolls Corporation
Salt Lake City, UT
10/00

MX54s ProMix Plus



6 75889 00054 2

Owners Manual

INTRODUCTION

Thank you for your purchase of the MX54s ProMix Plus. This unit is designed and manufactured to mix three microphones together and send their combined signals out stereo transformer-balanced XLR outputs. The individually switchable phantom power and low-cut switches provide the final touches which make the MX54s a valuable tool for any sound reinforcement, musical, recording, or install application.

INSPECTION

1. Unpack and Inspect the MX54s package Your MX54s was carefully packed at the factory in a protective carton. Nonetheless, be sure to examine the unit and the carton for any signs of damage that may have occurred during shipping. If obvious physical damage is noticed, contact the carrier immediately to make a damage claim. We suggest saving the shipping carton and packing materials for safely transporting the unit in the future.

2. Please complete the Warranty Registration Card and return it to the factory.

DESCRIPTION REAR PANEL

Mic Input: 1 - 3; XLR balanced inputs for connection to any standard dynamic or condenser microphone.
Right and Left Outputs: Transformer balanced XLR output jacks for connection to the next device in the signal chain such as a signal processor or amplifier.

Right and Left Trim controls: Screwdriver adjustable controls to vary the level of each output. **NOTE: These controls are set at mic level from the factory.** Turning them *counter-clockwise* increases the output level. These controls do not effect the Aux/Headphone Output.

FRONT PANEL

Mic Level 1 - 3: These controls adjust the level of the corresponding Mic channel. The level varies from -infinity (off) to +60 dB of gain (typical).

PAN 1 - 3: Adjusts the relative right/left level of each channel.
Phone/Aux: 1/4" TRS jack which may be connected to a pair of headphones for personal monitoring, or to an unbalanced input of a signal processor or amplifier.

Power LED: Indicates the MX54s is on.

Clip LED: Indicates that clipping is about to occur or occurring in the MX54s circuitry. This LED begins to light 3dB below actual circuit clipping.

Power Switch: Applies power to the MX54s.

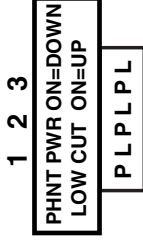
Located on the right side of the unit is the +12 VDC power jack for connection to an optional +12 VDC (outside of the ring is positive) external power supply. We recommend the Rolls PS27.

Located on the left side of the unit is the battery compartment which houses two 9-Volt (alkaline preferred) batteries.

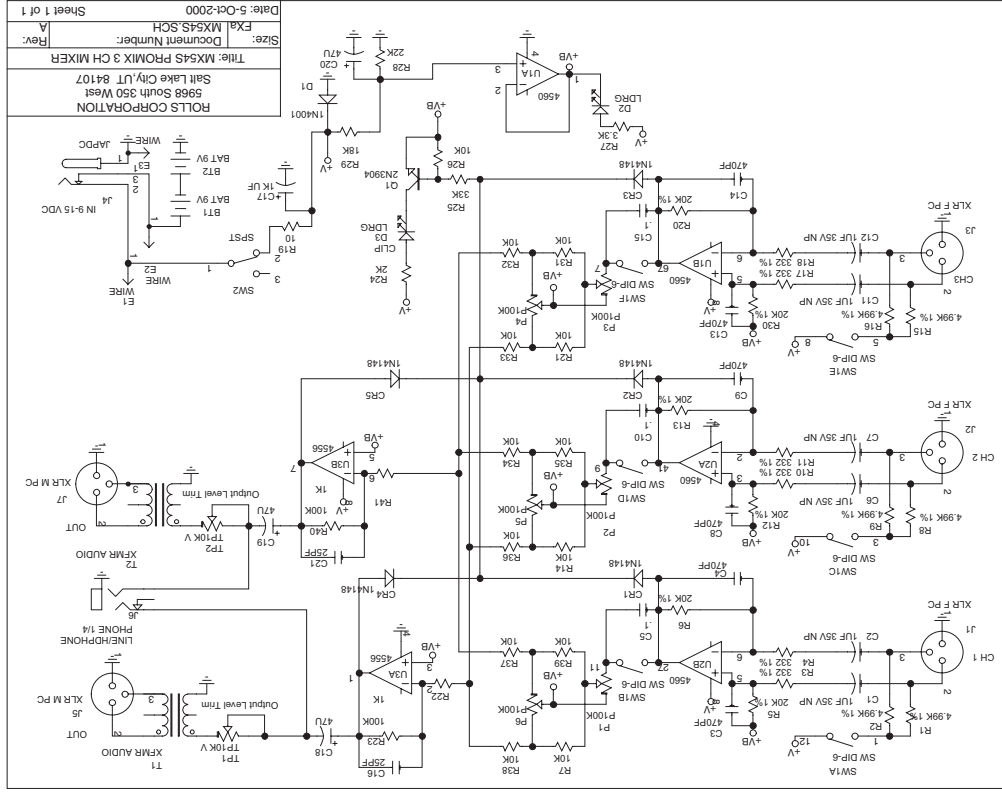
Also on the left side are the Phantom Power and Low-Cut switches.

As shown here, under each number is a P indicating Phantom Power, and an L which indicates Low-Cut.

When the P switch is DOWN, the phantom power is ON, when it is UP, the phantom power is OFF. When the L switch is UP, the low-cut is ON, when it is DOWN, the low-cut is OFF.



SCHEMATIC



ROLLS CORPORATION
5968 South 350 West
Salt Lake City, UT 84107
Title: MX54S ProMix Plus CH MIXER
Size: Document Number:
FAX: MX54S SCH
Rev: A
Date: 5-Oct-2000
Sheet 1 of 1