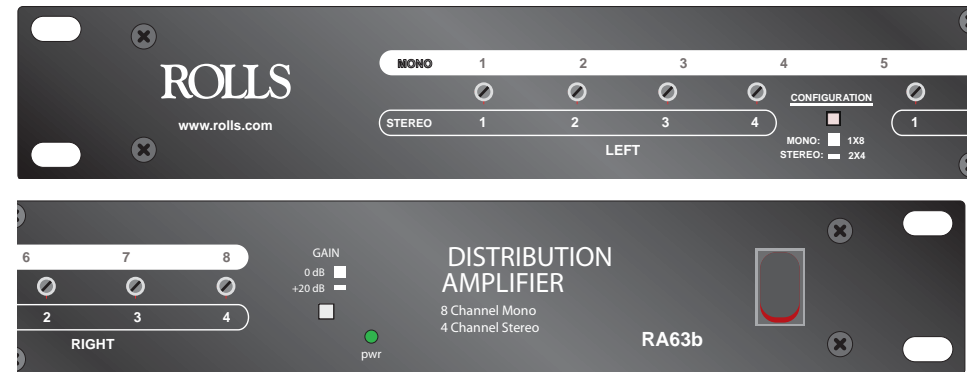


# ROLLS

## RA63b DISTRIBUTION AMPLIFIER



### FEATURES

- Stereo 4 channel, Mono 8 channel audio distribution
- Screw driver adjustable front panel volume controls
- Balanced inputs and outputs

### SPECIFICATIONS

Input Impedance:	100 K $\Omega$ balanced
Max Input Level:	+22 dBV
I/O Connectors:	Screw terminal; +, -, and ground
Output Impedance:	50 $\Omega$ balanced
Max Output Level:	+24 dB
Max Gain:	20 dB
S/N Ratio:	>90 dB
Frequency Response:	10 Hz - 40 kHz, +/- 1 dB
THD:	<.008%
Power:	120 VAC 50-60 Hz, 15VA
Size:	19" x 1.75" x 6.5" (48 x 4.5 x 17 cm)
Weight:	7 lbs. (3 kg)

# ROLLS

ROLLS CORPORATION  
SALT LAKE CITY, UTAH

02/10

Quick Start Guide

Thank you for your purchase of the ROLLS RA63b Distribution Amplifier. This unit will distribute a mono signal to eight outputs, or a stereo signal to four right and four left outputs. The outputs are designed to drive high-level balanced lines in a sound distribution system. The screw terminals on the rear panel are for input and output, and each output may power more than one line.

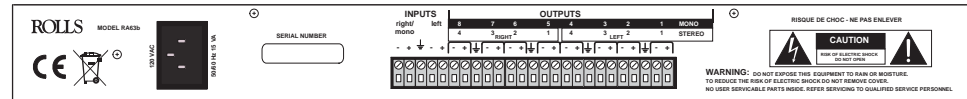
NOTE: THIS MANUAL ASSUMES THE USER HAS A BASIC WORKING KNOWLEDGE OF AUDIO ELECTRONICS, BALANCED AND UNBALANCED CONNECTIONS, AND PROPER SIGNAL LEVEL SETTING.

DESCRIPTION  
FRONT PANEL



**Mono 1 - 8 / Stereo 1 - 4:** These screwdriver-adjustable controls vary the level of signal for each indicated output.  
**+20dB/0dB Gain switch:** Pressing this switch in provides 20 dB of gain to the input signal.  
**pwr:** LED indicating the unit's power status.  
**STEREO/MONO CONFIGURATION**  
 To change the stereo/mono configuration of the RA63b, use the switch on the front panel to select the desired configuration.

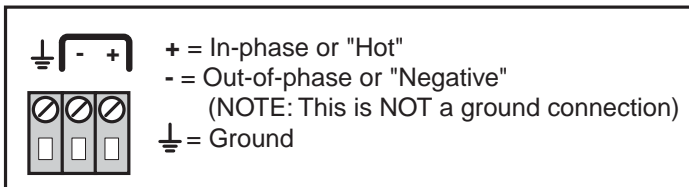
REAR PANEL



**120 VAC 50/60 HZ 15 VA:** Power Cord. Connect to a properly grounded AC source.

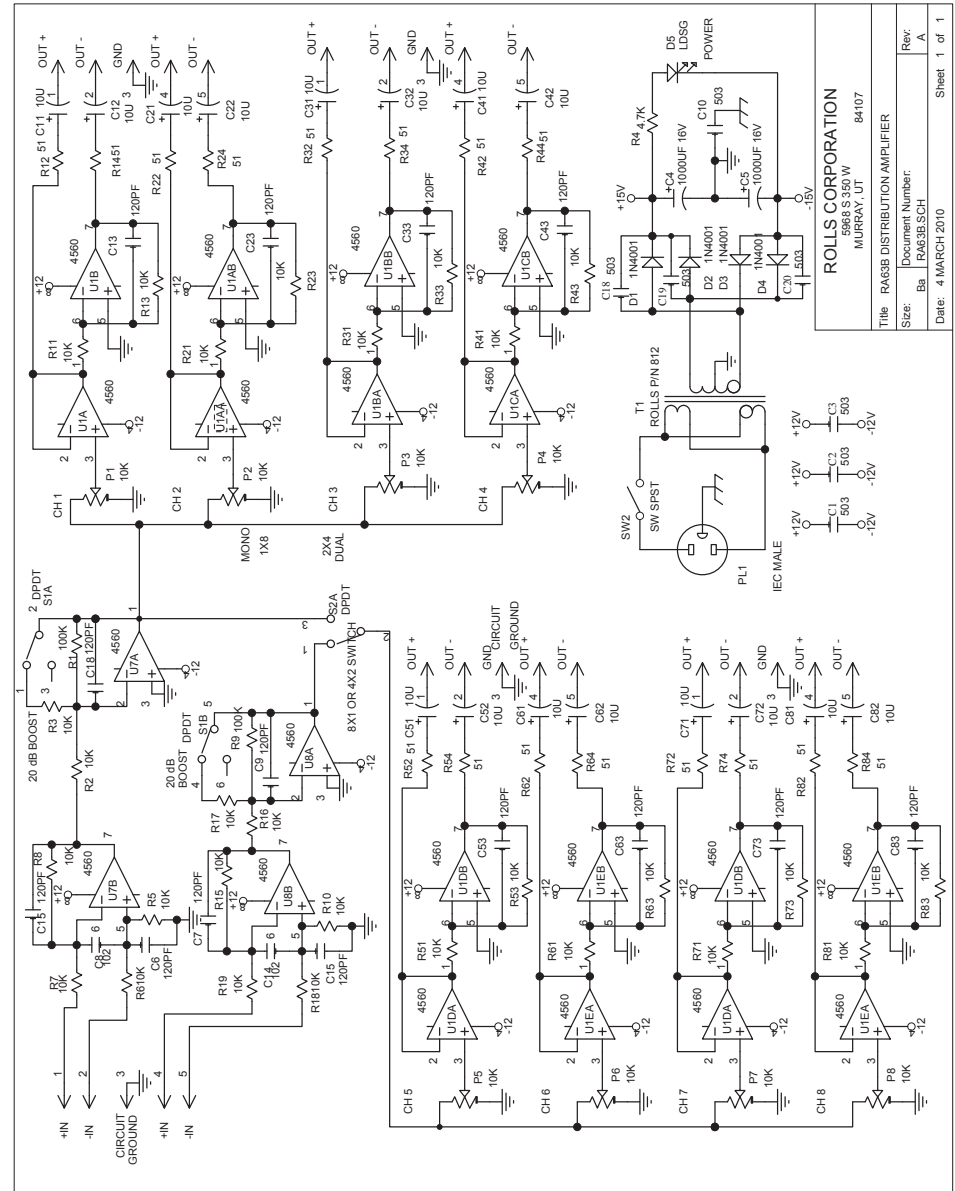
**INPUTS Right/Mono and Left:** These five terminals, labeled + for the positive or "hot" connection, - for the negative connection, and the ground symbol for earth ground connection are for connection to the balanced or unbalanced input signal(s) to be distributed.

**MONO 1 - 8, STEREO 1 - 4:** For each channel; the two terminals labeled + for the positive or "hot" portion of the output signal, and the - for negative or neutral portion. The ground signal indicates the terminal to be connected to ground.



Install the RA63b in a standard 19" rack. The unit is intended for installations where several zones or areas need to be controlled and a high level balanced signal is required to drive the input lines.

SCHEMATIC



<b>ROLLS CORPORATION</b>	
5968 S 350 W MURRAY, UT 84107	
Title: RA63B DISTRIBUTION AMPLIFIER	Rev: A
Size: Bb   RA63B.SCH	Document Number
Date: 4 MARCH 2010	Sheet 1 of 1