

**INTRODUCTION**

Thank you for your purchase of the SLC19 Stereo Level Control. The SLC19 is a simple device designed to control stereo line-level audio signals such as those connected to powered speakers, computer speakers, microphones, or anywhere an inline level control is desired.

**WARRANTY INFO**

Please visit our website, [www.rolls.com](http://www.rolls.com), for the Rolls 1 Year Warranty information and registration.

**FRONT PANEL**



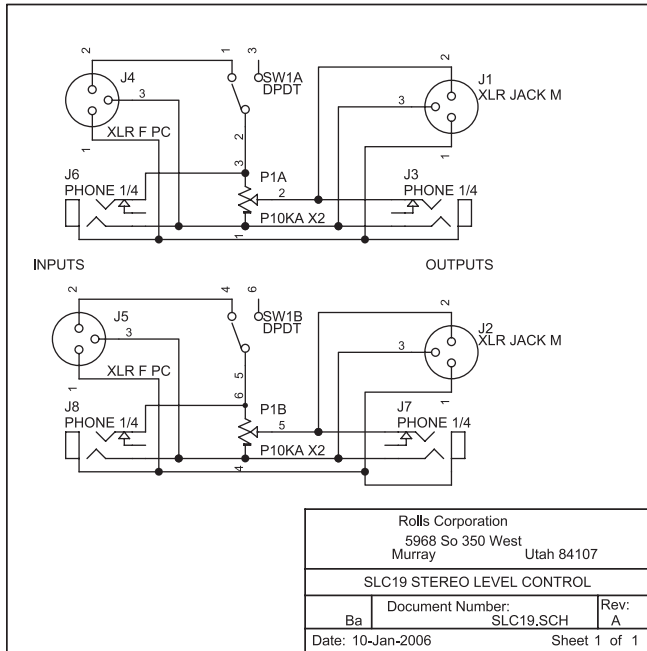
- LEFT: 1/4" TRS and XLR Input jack.
- LEVEL: Adjusts the level of the signals at the Left and Right Input jacks.
- RIGHT: 1/4" TRS and XLR Input jack.
- MUTE: When pressed in, the signals are all muted.

**REAR PANEL**

- LEFT: 1/4" TRS and XLR Output jack.
- RIGHT: 1/4" TRS and XLR Output jack.

**WARNING: DO NOT CONNECT THE SLC19 IN REVERSE. VERIFY THAT THE SLC19 INPUTS ARE CONNECTED TO THE LINE-LEVEL OUTPUTS OF THE DEVICE TO BE CONTROLLED. ALSO - DO NOT CONNECT THE SLC19 TO ANY SPEAKER-LEVEL OR POWERED SIGNAL. DOING SO WILL DAMAGE THE UNIT.**

**SCHEMATIC**



... anywhere you need a passive inline stereo volume control

**ROLLS**

- Live
- Studio
- Broadcast

SLC19 Stereo Level Control

SLC19 Stereo Level Control

**ROLLS**

**SLC19 Stereo Level Control**

The SLC19 is a simple device designed to control balanced stereo line-level audio signals such as those connected to powered speakers, computer speakers, microphones, or anywhere an inline level control is desired.

- Dual 1/4" TRS Inputs and Outputs
- Dual balanced XLR Inputs and Outputs
- Stereo Level Volume control
- MUTE switch

SLC19 St. Level Control



Rolls Corporation  
Salt Lake City, UT  
1/06